



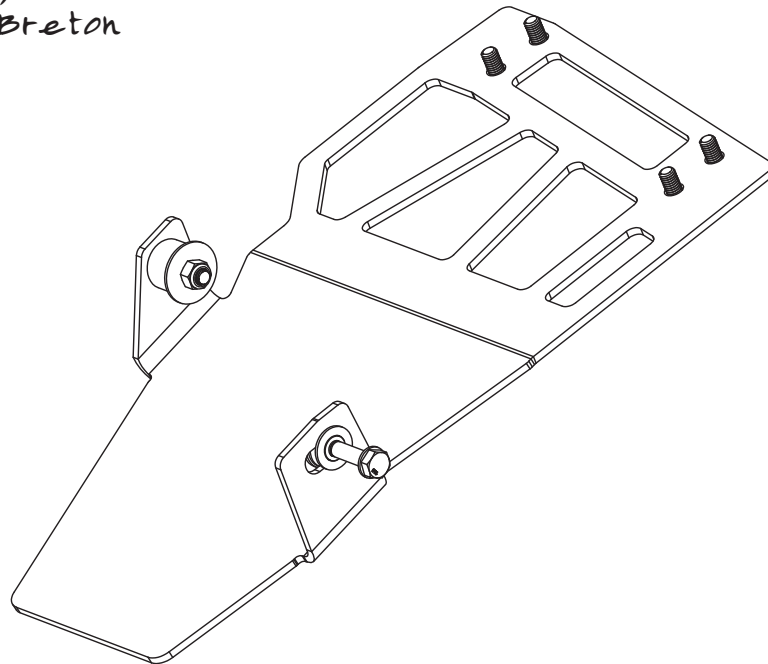
# AltRider Skid Plate for Honda Africa Twin INSTALLATION INSTRUCTIONS

The most up to date instructions can be downloaded from the product page at [altrider.com](http://altrider.com), under the instructions tab.

Dear Rider,  
Thank you for choosing AltRider! Whether a seasoned world adventurer or a first time ADV-Newbie, we welcome you to the AltRider experience. You can install your new product with the utmost confidence. AltRider designs, tests, and manufactures all of its products here in the United States. We are proud to do what we do, and honored to present to you the product of our labors.

Enjoy it, show it off, and most of all, RIDE IT!

Venture On,  
Jeremy LeBreton



**AltRider Skid Plate Extension  
Honda Africa Twin CRF1000L**

Package Contents:  
-Skid Plate Extension  
-Hardware  
-Instructions

## AltRider LLC

### Global

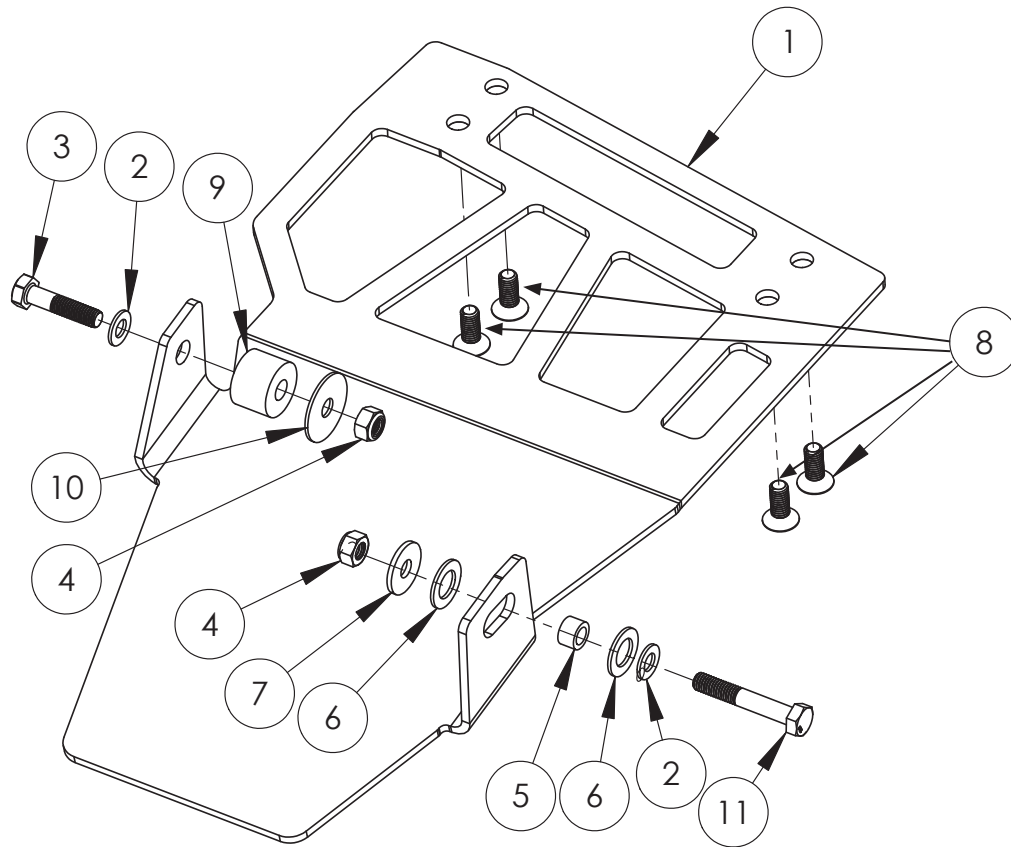
mailing: 4000 Aurora Ave N Ste 100  
Seattle, WA 98103 USA  
phone: 206-922-3618  
email: [info@altrider.com](mailto:info@altrider.com)  
web: [www.altrider.com](http://www.altrider.com)

### Europe

mailing: AltRider EU  
Heliumstraat 230  
2718 RS Zoetermeer  
The Netherlands  
email: [info@altrider.eu](mailto:info@altrider.eu)  
web: [www.altrider.eu](http://www.altrider.eu)

MADE IN THE USA



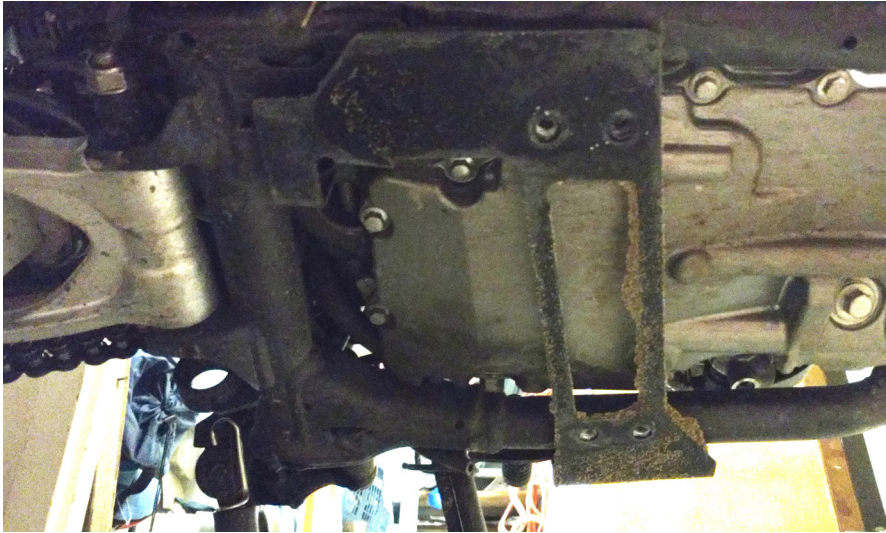
**Kit:**

- ① Skid plate extension
- ② (2 qty) M8 washer 16mm O.D.
- ③ 25.4mm O.D. aluminum spacer
- ④ (2 qty) M8 lock nut
- ⑤ 13mm O.D. aluminum spacer
- ⑥ (2 qty) 22mm O.D. plastic washer
- ⑦ M8 washer 24mm O.D.
- ⑧ (4 qty) M8 x 20 flat head screw
- ⑨ M8 x 35 hex cap screw
- ⑩ M8 washer 32mm O.D.
- ⑪ M8 x 50 hex cap screw

**Required Tools:**

- ① 12mm spanner
- ② 5mm allen tool
- ③ 6mm allen tool
- ④ 12mm socket
- ⑤ 13mm socket
- ⑥ driver handle
- ⑦ ratchet handle
- ⑧ 13mm spanner
- ⑨ Medium strength thread locker





- ① Remove the main AltRider skid plate (p/n AT16-X-1200), leave the AltRider skid plate rear mounting bracket bolted tight in place. (If you have not installed your skid plate, install the rear bracket now).



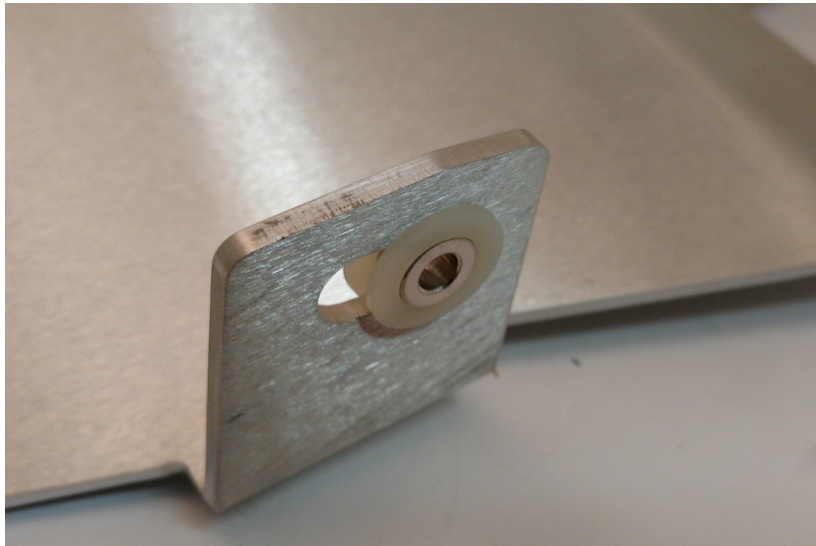
- ② Use 13mm socket and wrench to remove the bolt and nut at the lower rear exhaust hanger. You will not re-use this hardware. Insert the new M8 x 50mm hex cap screw with M8 washer in place.



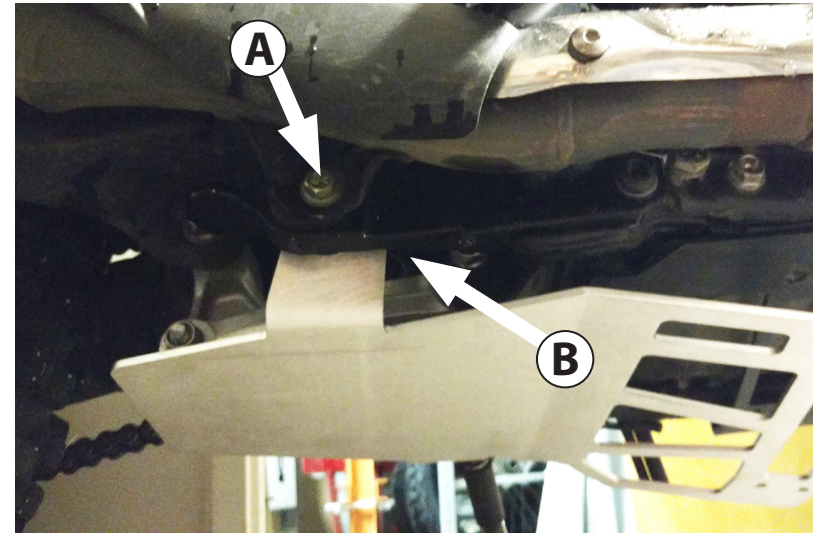
- ③ Loosen the screw at the exhaust silencer mount. You do not need to remove completely, just loosen enough so that it moves freely.



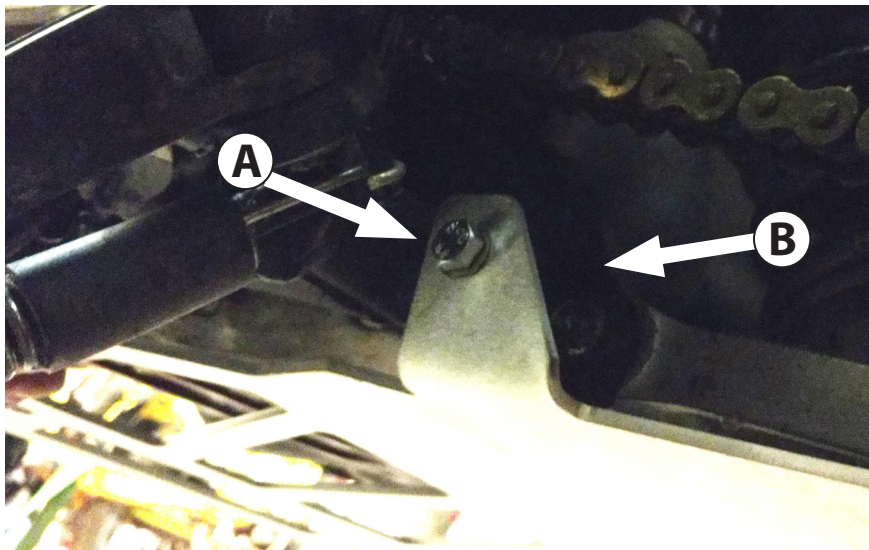
- ④ Insert 25.4mm O.D. aluminum spacer into the left rear center stand pivot mount.



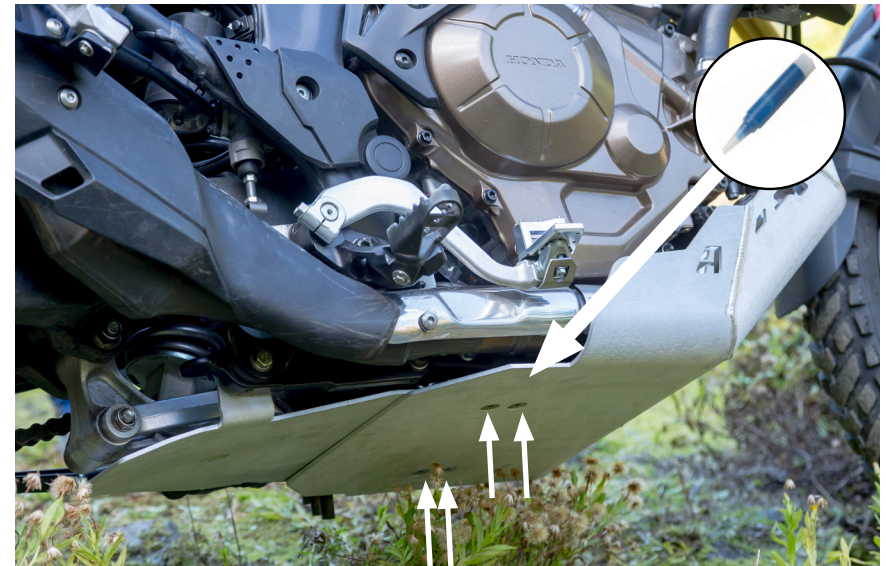
- ⑤ At the right rear ovalized hole mount of the AltRider Skid Plate Extension, arrange the small 13mm O.D. spacer and (2 qty) 22mm O.D. plastic washers as shown. This allows the exhaust to expand and contract from heat.



- ⑥ (A) Place skid plate, with washers and spacer, onto the right rear mounting bolt. Make sure spacers from step 5 are arranged correctly. (B) Place M8 24mm O.D. washer and loosely screw on M8 lock nut.



- ⑦ (A) At left rear mount, insert M8 x 35mm long hex cap screw with M8 16mm O.D. washer. (B) Place M8 x 32mm O.D. washer and M8 lock nut on back side. Screw on nut loosely for now.



- ⑧ Reinstall skid plate, use M5 hex tool and (4 qty) M8 x 20mm flat head screws for rear four mount holes, with thread locker. Tighten to 10 Nm. Use 14mm socket and wrench to tighten both rear mount M8 lock nuts to 15 Nm. Retighten silencer hanger screw to 7 Nm. Tighten skid plate front M8 screws (see main skid plate instructions)

## CONGRATULATIONS!

**You've completed your installation. If at any point you have questions about your installation or have any feed back for us, we'd love to hear it. A downloadable version of these instructions can be found at our web site. [www.AltRider.com](http://www.AltRider.com)**

**After 5 hours of riding, or 100 miles, check all the fasteners on the assembly to ensure they are tightened to spec.**

### Global Office:

**email: info@AltRider.com**  
**phone: +1 206-922-3618**  
**address: 4000 Aurora Ave N**  
**Ste 100**  
**Seattle, WA 98103**

### Europe Office:

**email: info@AltRider.eu**  
**address: AltRider EU**  
**Heliumstraat 230**  
**2718 RS Zoetermeer**  
**The Netherlands**

#### TERMS OF USE, WARRANTY AND LIABILITY WAIVER

AltRider LLC, a Washington company, having its principal place of business in Seattle, WA ("AltRider") offers its motorcycle accessories (the "Product") with the terms, conditions and notices as follows:

##### Terms of Use

This Product is offered to you conditioned upon your acceptance without modification of the terms, conditions, and notices contained herein. Installation and/or use of this product implies acceptance of all such terms, conditions, and notices. If you do not agree to these terms, do not buy the Product. If you have already bought the Product and do not agree to these terms, return this Product promptly including the packaging and all written materials, to AltRider.

##### Limitation of Liability and Warranty Disclaimer

You may return your merchandise for a full refund or exchange, less any original or return shipping fees under these conditions:

1. Only if the merchandise is in 100% factory condition. Original manufacturer's packaging and same condition as sold – original boxes, packaging material, instructions, documentation, parts, and attached tags.
2. Only unused, unscratched, uninstalled, undamaged merchandise will be accepted. Do not install equipment until you are sure you want to keep it. Package items carefully in protective materials before returning them. Never ship an item in its original manufacturers packaging – it will arrive damaged. Please use a postal box or other adequate packaging to ensure your return or exchange is not damaged on the way back to AltRider.com.

To read more about our exchanges and returns policy, on the web, navigate to <http://www.alt rider.com/info/exchangesAndReturns>

Excepting the warranties stated in the preceding paragraph, AltRider hereby disclaims all other warranties and conditions with regard to the Product including all implied warranties and conditions of merchantability and fitness for a particular purpose. There are no warranties which extend beyond the description on the face hereof. AltRider does not warrant against damages or defects arising out of use or installation of the Product. Installation instructions are provided for your convenience. AltRider is not responsible for any damages arising out of the installation, improper or otherwise, of the Product. No warranty of any kind, expressed or implied, is made regarding the safety of this Product.

To the extent allowed by law, AltRider shall not be held liable for any direct, indirect, punitive, incidental, special or consequential damages arising out of, or connected with, the use or misuse of this Product. Buyer assumes all risks and liability arising from use of this Product.

##### Entire Agreement

This document states the entire obligation of AltRider with respect to the Product. If any part of this agreement is determined to be void, invalid, unenforceable or illegal, including, but not limited to the warranty disclaimers and liability limitations set forth above, then the remainder of the agreement shall remain in full force and effect.

##### Applicable Law

This agreement is governed by the laws of Washington, USA. You hereby consent to the exclusive jurisdiction and venue of the courts of Washington, USA, in all disputes arising out of or relating to the use of this product.

