



BMW F 800 GS // F 700/650 GS Skid Plate INSTALLATION INSTRUCTIONS

Dear Rider,
Thank you for choosing AlRider! Whether a seasoned world adventurer or a first time ADV-Newbie, we welcome you to the AlRider experience. You can install your new product with the utmost confidence. AlRider designs, tests, and manufactures all of its products here in the United States. We are proud to do what we do, and honored to present to you the product of our labors.

Enjoy it, show it off, and most of all, RIDE IT!

Venture On,
Jeremy LeBreton



**AlRider Skid Plate for
BMW F 800/700/650 GS**



Package Contents:
- skid plate
- mounting bracket
- Hardware kit

AlRider LLC

Global

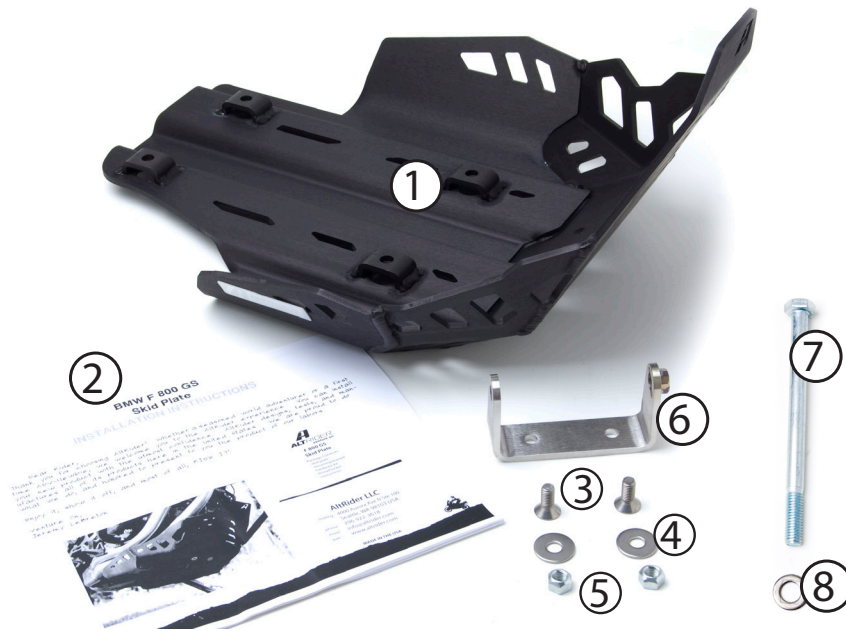
mailing: 4000 Aurora Ave N Ste 100
Seattle, WA 98103 USA
phone: 206-922-3618
email: info@altrider.com
web: www.altrider.com

Europe

mailing: Oude Middenweg 231-M
2491 AG DEN HAAG
Netherlands
email: info@altrider.eu
web: www.altrider.eu

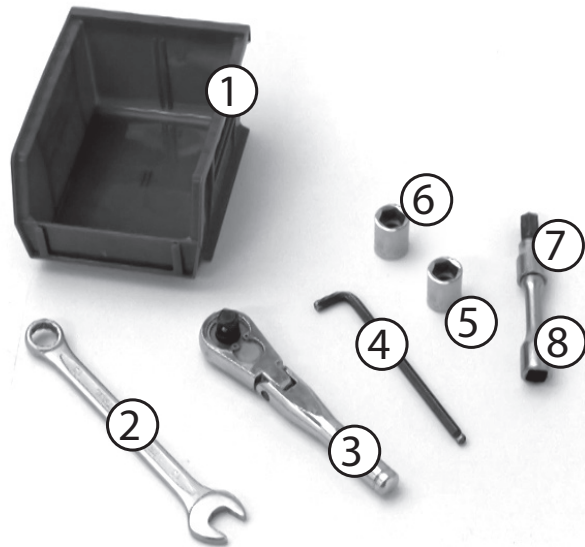
Rev 4
MADE IN THE USA





Kit:

- ① Skid Plate
- ② paper instructions
- ③ (2) M8 x 20 flat head screws
- ④ (2) M8 washers
- ⑤ (2) M8 locking nuts
- ⑥ stainless steel mount bracket
- ⑦ (1) M8 x 110 hex cap bolt
- ⑧ (1) M8 washer



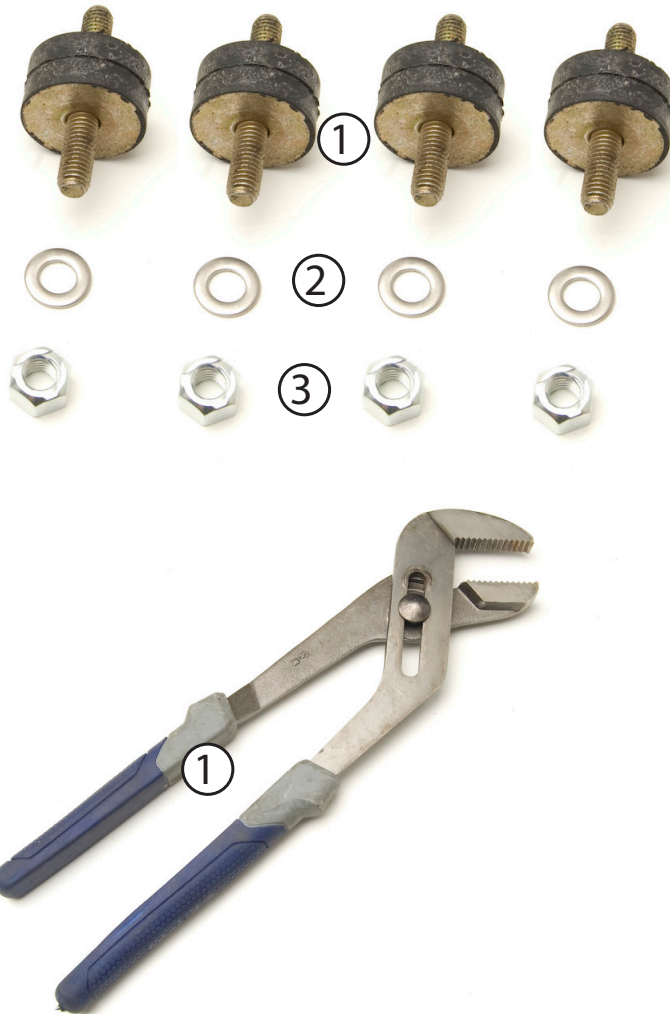
Recommended tools:

- ① hardware bin
- ② 13mm wrench
- ③ 3/8" ratchet
- ④ 5mm allen tool
- ⑤ 13mm socket
- ⑥ 12mm socket
- ⑦ T-45 Torx bit (only needed for pre-2011)
- ⑧ 3/8" extension for ratchet



pages 2-3: **BMW F 650 GS (TWIN) HARDWARE KIT INSTALLATION**

To continue with F 800 GS installation skip to P4



Kit:

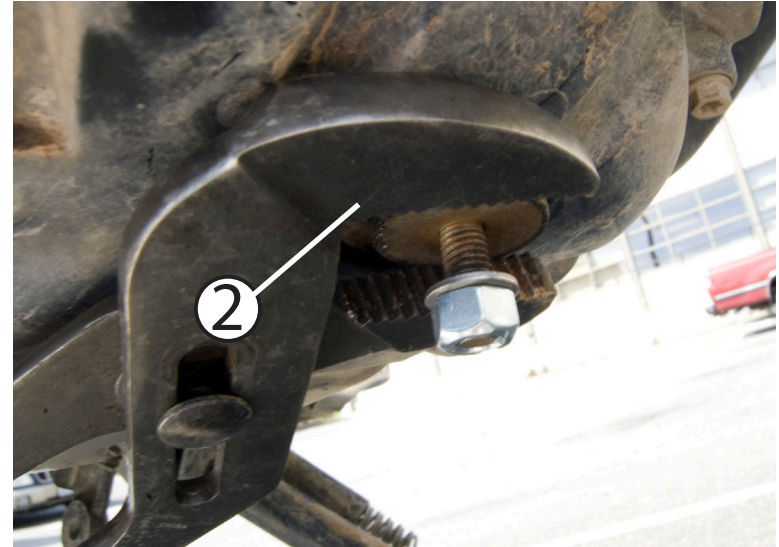
- ① (4) Vibration Isolation mounts
- ② (4) M8 washers
- ③ (4) M8 locking nuts (attaches skid plate to vib-iso mounts)

Recommended tools:

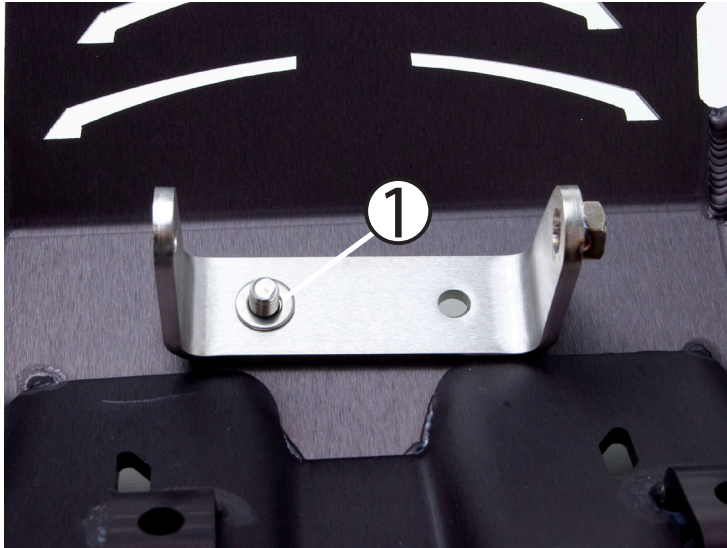
- ① Channel locks



- ① Using your hands, insert the (4) vibration isolation mounts in the mounting holes on the sump of your motor. Finger tighten all (4) for now.



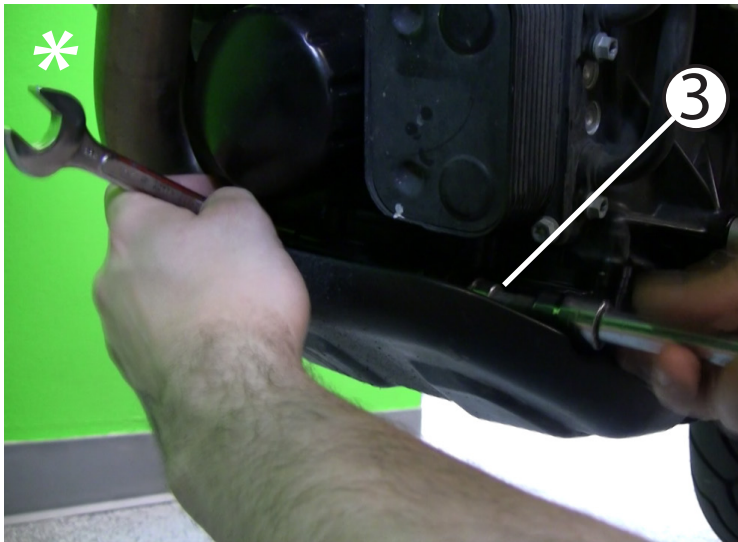
- ② Using a pair of channel locks, gently tighten the vibration isolation mounts the rest of the way. You will only need around 1/8 of a turn just to seat the vibration isolation mounts against the sump. Do not overtighten! If you are twisting the rubber m, the mounts are tight. F650GS specific hardware installation steps complete. Move on to next page and begin at step 1 to begin the skid plate installation. You will skid steps 3 and 4.



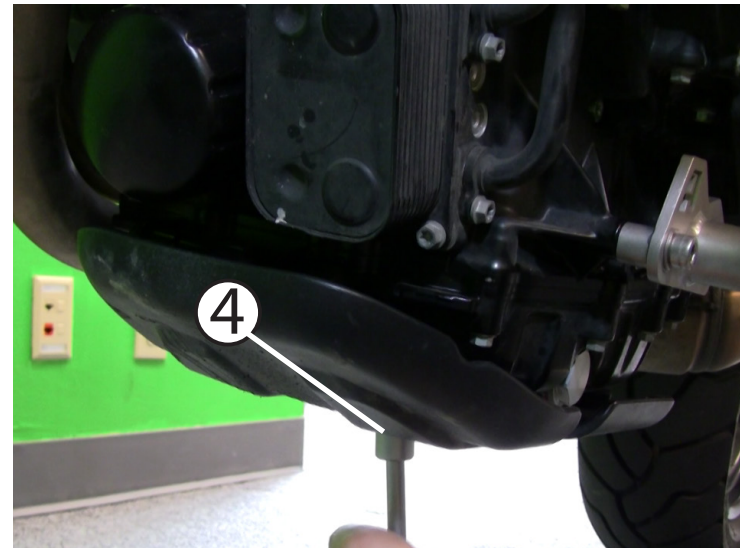
- ① Insert the M8 flat head fasteners in to the holes on the front of the Skid Plate. Place the stainless bracket as shown, and put the washer over each fastener. (the welded nut on the right)



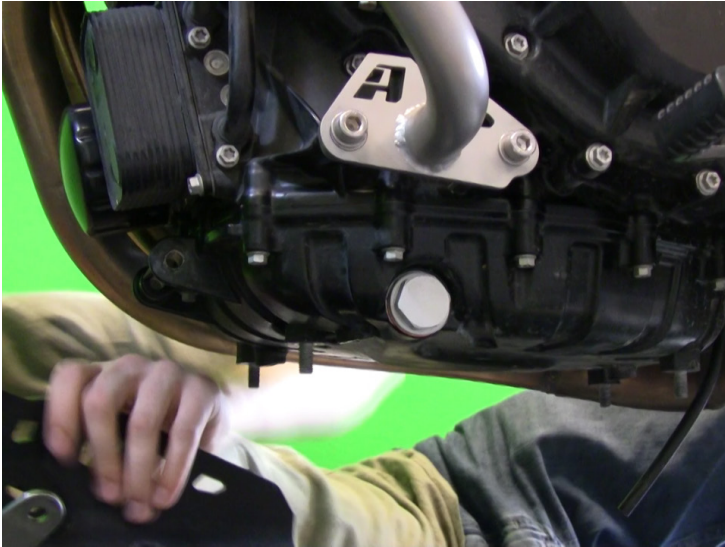
- ② Using a 13mm socket or wrench, tighten the locking nuts on to the exposed ends of the M8s.



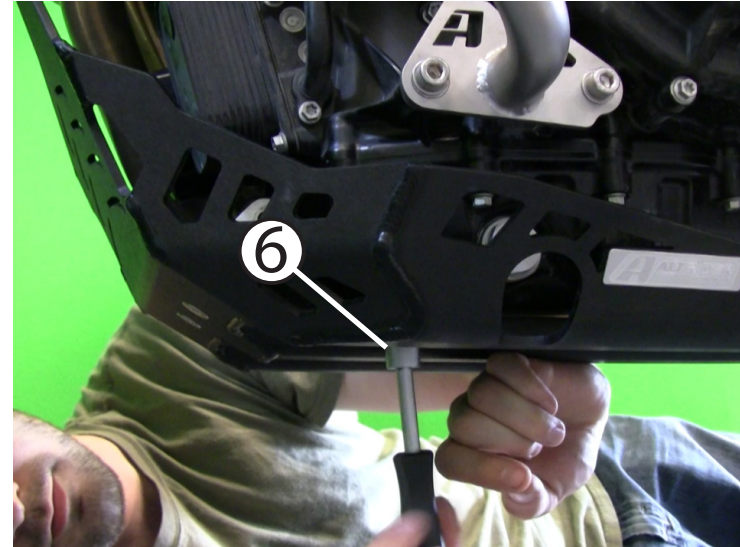
- ③ **(pre-2011 F800 models only)* Using a T-45 bit with an extension, and a 13mm wrench, remove the front through-bolt on the OEM skid plate.



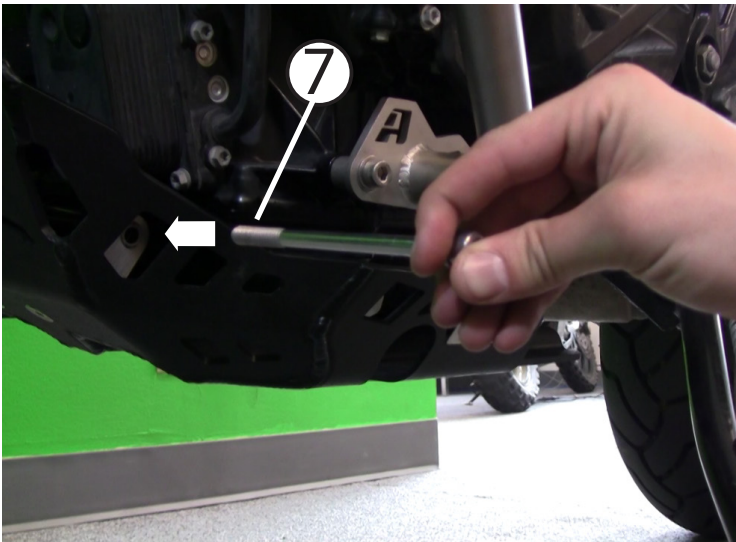
- ④ Using a 13mm socket, remove all four of the nuts holding the OEM skid plate in place. Remove the skid plate.



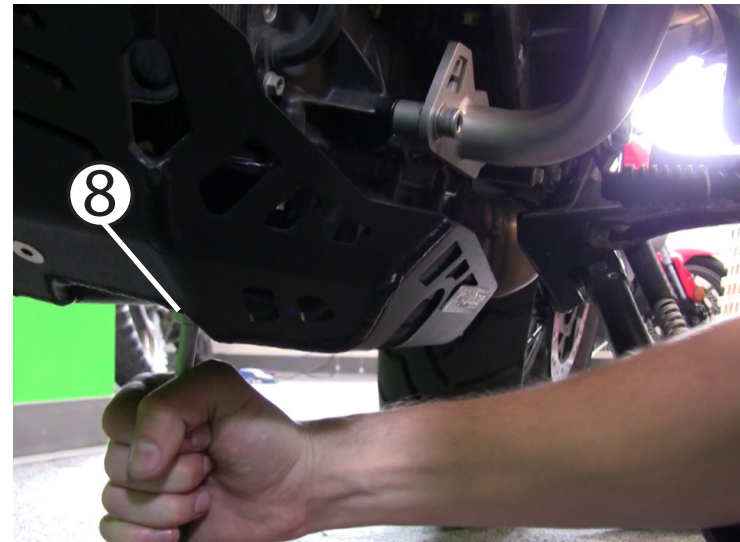
- ⑤ Put the skid plate into position, line up the rear holes first, then the front ones, finally ensuring the front mount bracket slides into place properly.



- ⑥ Hold the Skid Plate in place while using a 13mm socket to get the first couple of nuts started. Just a few turns here, do not tighten these all the way down yet.



- ⑦ Using a 13mm socket w/extension, put the AltRider provided through-bolt in place as shown. Just thread the bolt into the weld-nut on the stainless steel bracket. Tighten this down!



- ⑧ Using a 13mm socket, tighten all of the vibration isolation mount nuts down. After 100 miles check all fasteners to ensure they are tightened correctly.

CONGRATULATIONS!

You've completed your installation. If at any point you have questions about your installation or have any feed back for us, we'd love to hear it. A downloadable version of these instructions can be found at our web site. www.AltRider.com

After 5 hours or 100 miles of riding, check your newly installed equipment to ensure all hardware is secure.

Global Office:

email: info@AltRider.com
phone: +1 206-922-3618
address: 4000 Aurora Ave N
Ste 100
Seattle, WA 98103

Europe Office:

email: info@AltRider.eu
address: Oude Middenweg 231-M
2491 AG DEN HAAG
Netherlands

TERMS OF USE, WARRANTY AND LIABILITY WAIVER

AltRider LLC, a Washington company, having its principal place of business in Seattle, WA ("AltRider") offers its motorcycle accessories (the "Product") with the terms, conditions and notices as follows:

Terms of Use

This Product is offered to you conditioned upon your acceptance without modification of the terms, conditions, and notices contained herein. Installation and/or use of this product implies acceptance of all such terms, conditions, and notices. If you do not agree to these terms, do not buy the Product. If you have already bought the Product and do not agree to these terms, return this Product promptly including the packaging and all written materials, to AltRider.

Limitation of Liability and Warranty Disclaimer

You may return your merchandise for a full refund or exchange, less any original or return shipping fees under these conditions:

1. Only if the merchandise is in 100% factory condition. Original manufacturer's packaging and same condition as sold – original boxes, packaging material, instructions, documentation, parts, and attached tags.
2. Only unused, unscratched, uninstalled, undamaged merchandise will be accepted. Do not install equipment until you are sure you want to keep it. Package items carefully in protective materials before returning them. Never ship an item in its original manufacturers packaging – it will arrive damaged. Please use a postal box or other adequate packaging to ensure your return or exchange is not damaged on the way back to AltRider.com.

To read more about our exchanges and returns policy, on the web, navigate to <http://www.alt rider.com/info/exchangesAndReturns>

Excepting the warranties stated in the preceding paragraph, AltRider hereby disclaims all other warranties and conditions with regard to the Product including all implied warranties and conditions of merchantability and fitness for a particular purpose. There are no warranties which extend beyond the description on the face hereof. AltRider does not warrant against damages or defects arising out of use or installation of the Product. Installation instructions are provided for your convenience. AltRider is not responsible for any damages arising out of the installation, improper or otherwise, of the Product. No warranty of any kind, expressed or implied, is made regarding the safety of this Product.

To the extent allowed by law, AltRider shall not be held liable for any direct, indirect, punitive, incidental, special or consequential damages arising out of, or connected with, the use or misuse of this Product. Buyer assumes all risks and liability arising from use of this Product.

Entire Agreement

This document states the entire obligation of AltRider with respect to the Product. If any part of this agreement is determined to be void, invalid, unenforceable or illegal, including, but not limited to the warranty disclaimers and liability limitations set forth above, then the remainder of the agreement shall remain in full force and effect.

Applicable Law

This agreement is governed by the laws of Washington, USA. You hereby consent to the exclusive jurisdiction and venue of the courts of Washington, USA, in all disputes arising out of or relating to the use of this product.

