

Pack Mount Instructions:

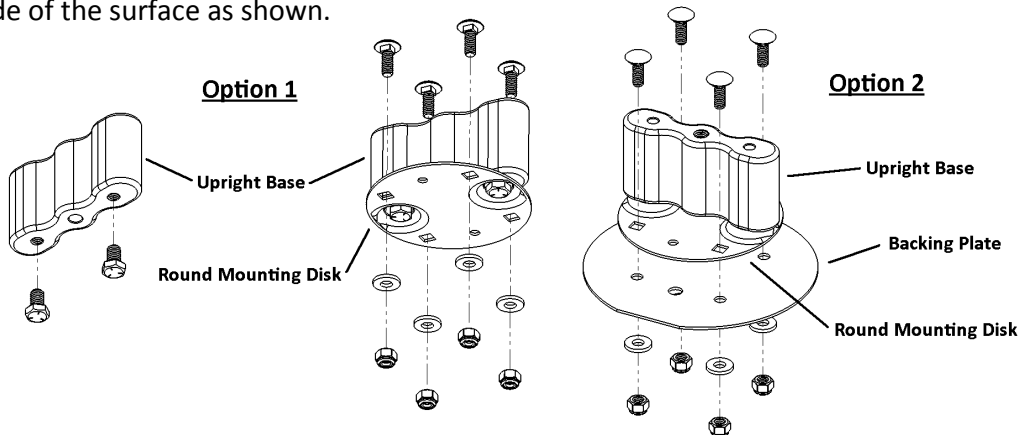
STEP 1 – Mounting upright base to desired surface

If mounting to a surface with an accessible backside (such as a thin walled container):

Option 1 – Discard the Round Mounting Disk and mount the Upright Base directly to the surface using the 2 hex bolts provided.

OR, Attach the Round Mounting Disk to the Upright Base using the 2 hex bolts provided, then use 4 carriage bolts, nuts, and washers provided to attach the Round Mounting Disk to the surface.

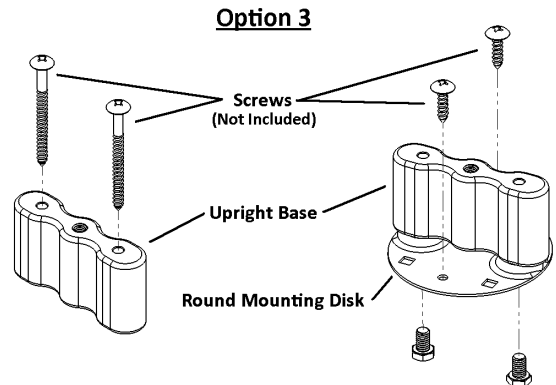
Option 2 – If you are worried that the Pax Mount might bend your mounting surface, use the Backing Plate (sold separately) in conjunction with the Round Mounting Disk and Upright Base to support the backside of the surface as shown.



If mounting to a surface where backside is not accessible (such as a stud on a garage wall):

Option 3 – Discard the Round Mounting Disk and mount the Upright Base directly to the surface with two long screws (not included) through the two outer holes in the Upright Base.

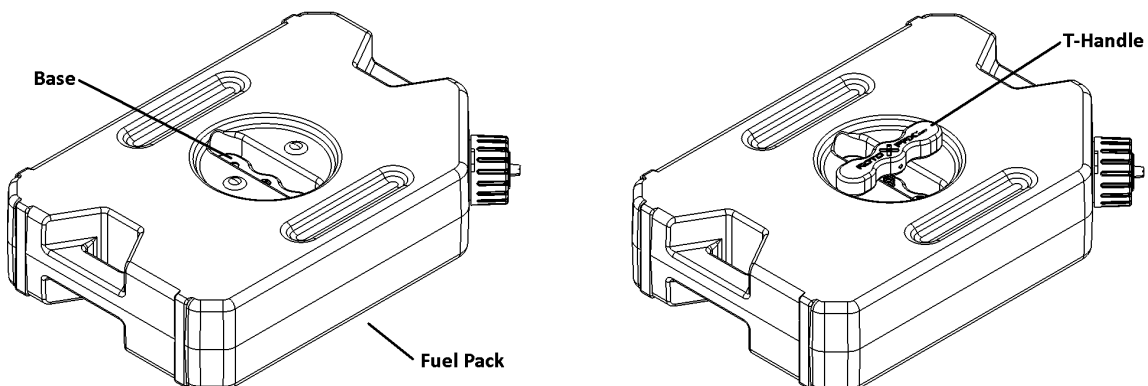
OR, Attach the Round Mounting Disk to the Upright Base using the 2 hex bolts provided, then use two shorter screws (not included) to attach the Round Mounting Disk and Upright Base to the surface through the two additional holes in the Round Mounting Disk.



STEP 2 – Mounting Fuel Pack onto Upright Base

Once upright base has been mounted to the surface:

Mount Fuel Pack onto base and insert the T-Handle into threads in the top of the Upright Base then tighten by twisting clockwise to desired tension.



Mount Handle Instruction Sheet

DLX T-Handle: This Mount Handle uses less arm strength and allows for extra tightening power.

Step 1 - Insert DLX T-Handle into the Upright Base then tighten to desired tension while keeping the indents on the underside of the Lower Wing aligned with the Fuel Pack bumps.

(see **Figures 1-3**)

Figure 1

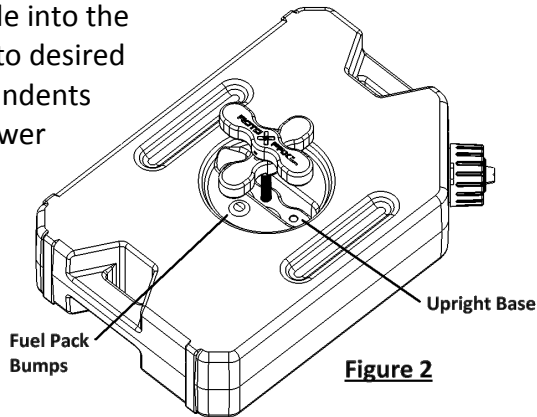
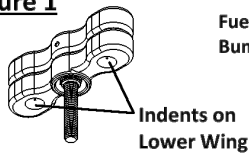
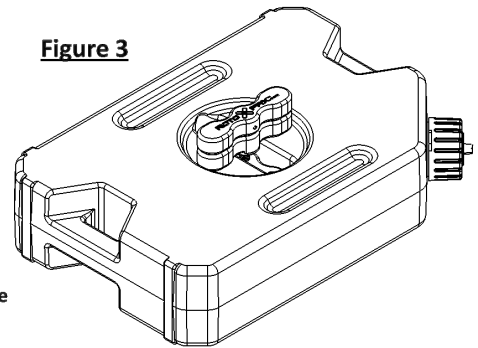


Figure 3



LOX T-Handle: This Mount Handle enables security by incorporating a locking mechanism into the handle, preventing anyone from removing your Fuel Pack without having the key.

Step 1 - Insert the LOX T-Handle into the Upright Base then tighten to desired tension while keeping the indents on the underside of the Lower Wing aligned with the Fuel Pack bumps.

(see **Figures 4 and 5**)

Figure 4

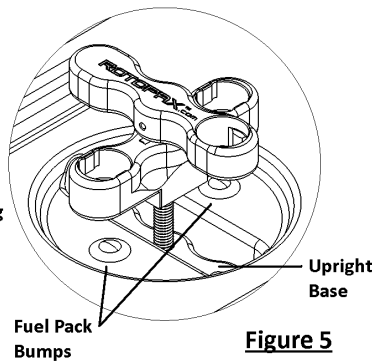
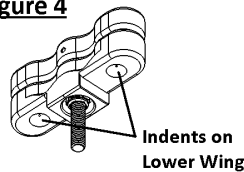
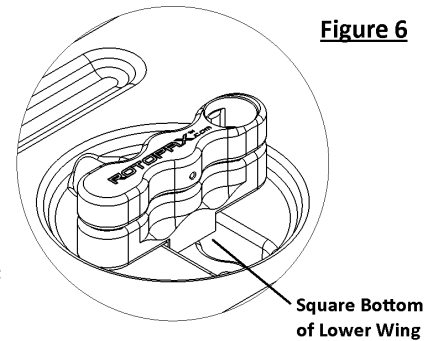


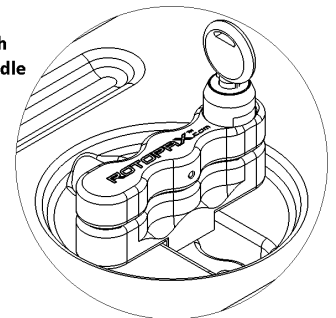
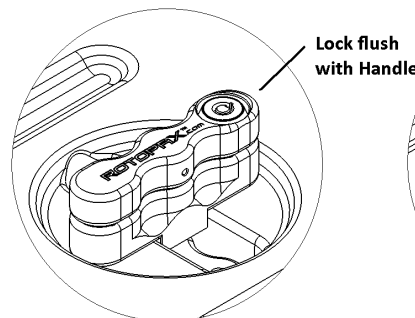
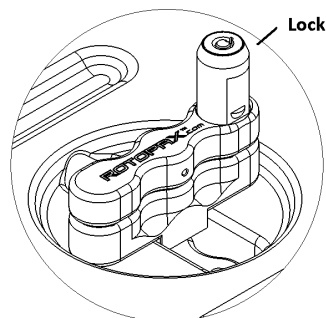
Figure 6



Step 2 - Ensure that the square bottom of the Lower Wing has been snugly inserted into the hole of the Fuel Pack and that the Lower Wing and the Upper Handle are aligned (see **Figure 6**).

Step 3 - Insert lock into the hole, far enough that the top of the lock is flush with the top of the handle. The handle is now locked.

(see **Figure 7 and 8**)



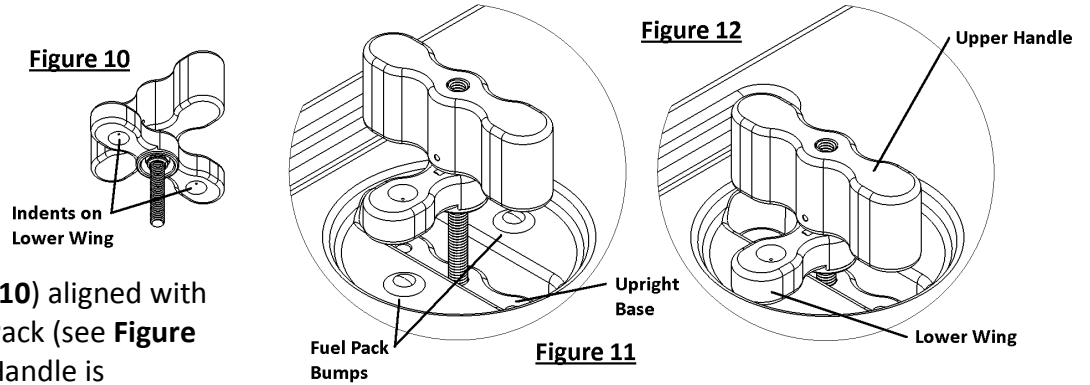
Step 4 - To remove lock, insert key into lock, twist key and pull out (see **Figure 9**).

Note: To ensure extended life, lubricate the lock periodically.

(Instructions for the Pack Mount Extension are found on page 2)

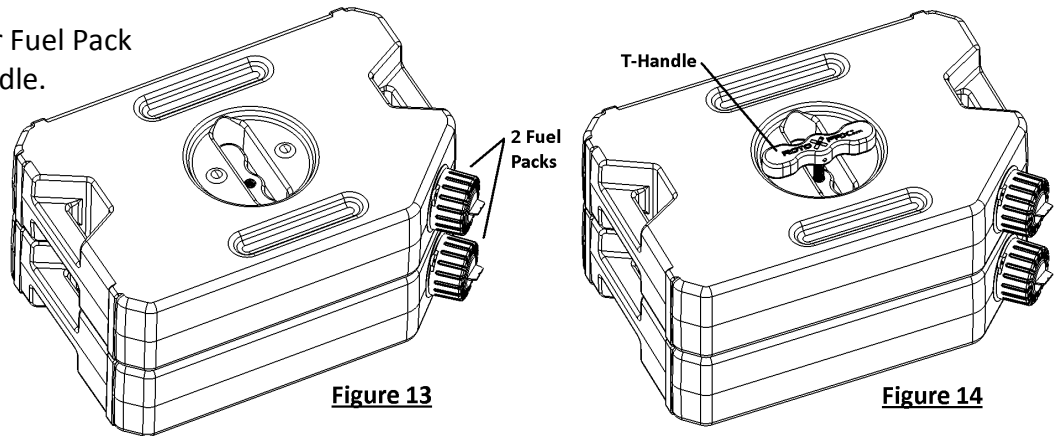
Pack Mount Extension: This Mount Handle enables two Fuel Packs to be mounted on top of each other.

Step 1 - Insert Extension Handle into the Upright Base then tighten while keeping the indents on the Lower Wing (see **Figure 10**) aligned with the bumps on the Fuel Pack (see **Figure 11**) until the Extension Handle is sufficiently tight and the Upper Handle and Lower Wing are perpendicular to each other (see **Figure 12**).



Step 2 - Mount another Fuel Pack onto the extension handle. (see **Figure 13**)

Step 3 - Tighten T-Handle or other handles (LOX, or DLX) to desired tension. (see **Figure 14**)

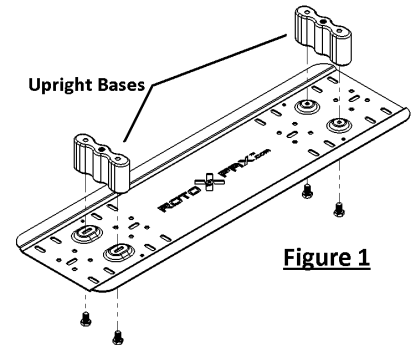


Mounting Plate Instruction Sheet

Universal Mounting Plate: This Mounting Plate allows for mounting of Fuel Packs on many different surfaces.

Step 1 – If using the Universal Mounting Plate for a 4-gallon Fuel Pack or a combination of 2-gallon Fuel Packs (for multiple 1-gallon Fuel Packs, only do step **A** but attach tightly):

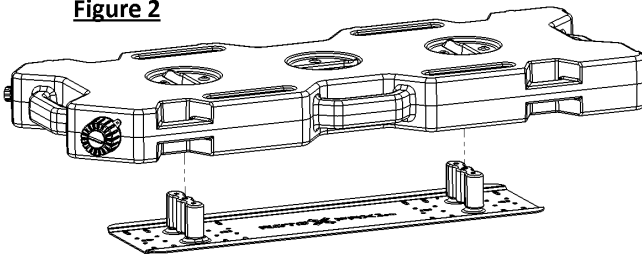
A – Attach Upright Bases loosely to Universal Mounting Plate using the hardware included with the Upright Bases. (see **Figure 1**)



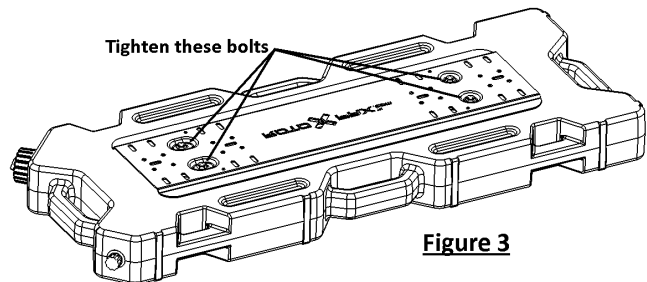
B – Mount the Fuel Pack(s) onto the loosely attached Upright Bases. (see **Figure 2**)

C – While the Fuel Pack(s) are still mounted, tighten the Base bolts from the underside of the Universal Mounting Plate. (see **Figure 3**)

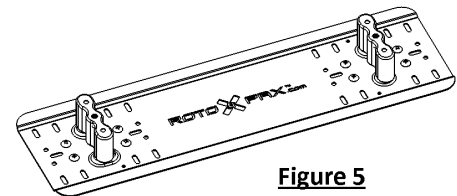
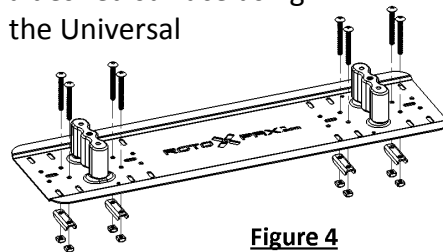
Figure 2



Tighten these bolts



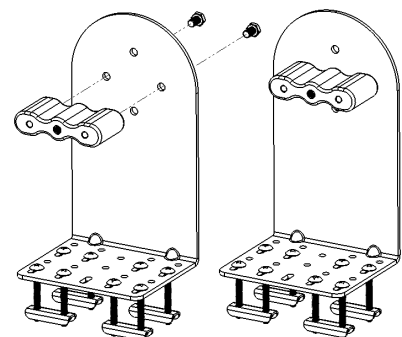
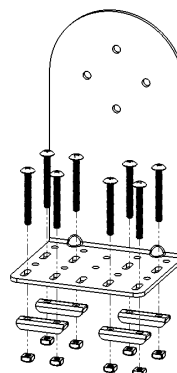
Step 2 – Once the Upright Bases have been attached properly, remove the Fuel Pack and attach the Universal Mounting Plate to a desired surface using any arrangement of holes in the Universal Mounting Plate and the provided hardware. (see **Figure 4** and **5**)



Pack Mount L-Bracket: The L-Bracket is excellent for mounting next to storage containers or when an upright position is desired.

Step 1 – Attach the L-Bracket to a desired surface using the hardware provided. (see **Figure 6**)

Step 2 – Attach Upright Base to the L-Bracket using the hardware included. (see **Figures 7** and **8**)



RZR Mounting Plate: This Mounting Plate allows for mounting Fuel Packs to 1 ½" diameter bars (commonly found on ATVs). For additional functionality, two RZR Mounting Plates can be used to secure a 4-gallon or two combination 2-gallon Fuel Packs similar to the Universal Mounting Plate.

Step 1 – Wrap the RZR Mounting Plate around the bar and use to hose clamp to stabilize the Mounting Plate on the bar. (see **Figure 9**)

Step 2 – Attach Upright Base to the RZR Mounting Plate using the hardware included. (see **Figures 10 and 11**)

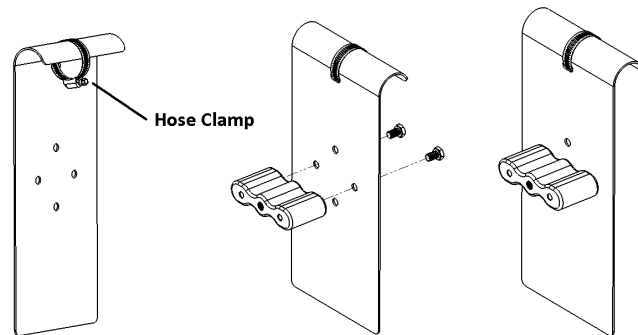


Figure 9

Figure 10

Figure 11